

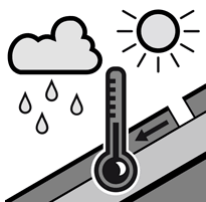
## THE AVALANCHE HAZARD WILL BE MODERATE

### Avalanche Hazard Forecast for Sunday 18/12/2022

#### Avalanche Problems



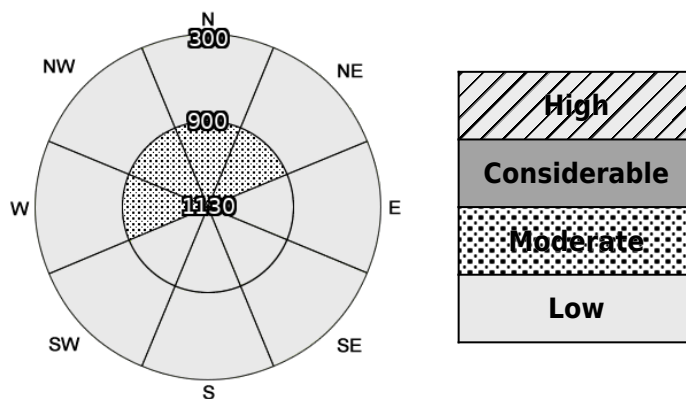
Wind Slab



Wet Snow

#### Forecast Snow Stability & Avalanche Hazard

Snow expected to be redistributed as weak windslab on to steep West to North-East aspects above 900m. Some wet snow instability in these locations by dusk. Good stability on recently scoured aspects and exposed ridge lines. The avalanche hazard will be Moderate



#### Forecast Weather Influences

Dry overnight. Some late snow turning to rain by end of day. Much stronger South East winds from dawn onwards. Cold but suddenly milder in the late afternoon.

#### Comments

Sudden rise in temp later in the day with rain.



#### View the latest avalanche report

Scan the QR code to view the full Avalanche Hazard Report on the SAIS website.