

THE AVALANCHE HAZARD WILL BE MODERATE

Avalanche Hazard Forecast for Tuesday 27/12/2022

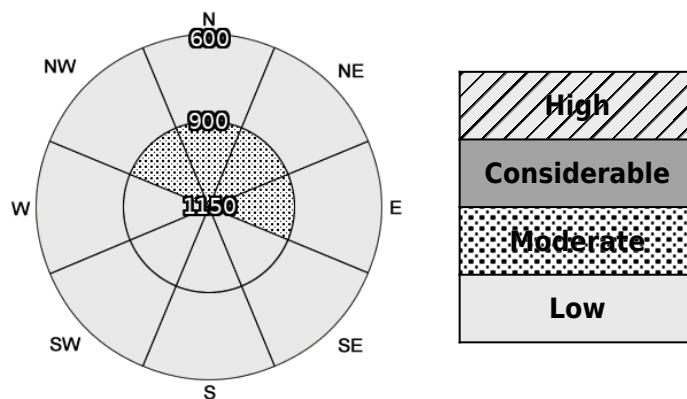
Avalanche Problems



Wind Slab

Forecast Snow Stability & Avalanche Hazard

Unstable windslab will continue to develop, mainly on North-West through North-East to East aspects above 900 metres. Steep wind sheltered locations such as corrie rims and gully exits will be most affected. Elsewhere there will be a shallow covering of snow with occasional deeper drifts in any lee locations. The avalanche hazard will be Moderate.



Forecast Weather Influences

Remaining cold overnight with the freezing level rising throughout the day to around 900 metres by the end of this forecast period. Snowfall will be moderate, heaviest during the morning. Winds, generally fresh in strength, Westerly overnight, backing to the South-East during the day.

Comments

Remaining Wintry on the hill with a fluctuating freezing level over coming days.



View the latest avalanche report

Scan the QR code to view the full Avalanche Hazard Report on the SAIS website.