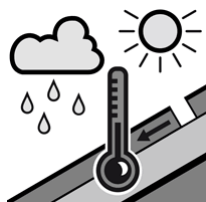


### THE AVALANCHE HAZARD WILL BE MODERATE

#### Avalanche Hazard Forecast for Sunday 22/01/2023

##### Avalanche Problems



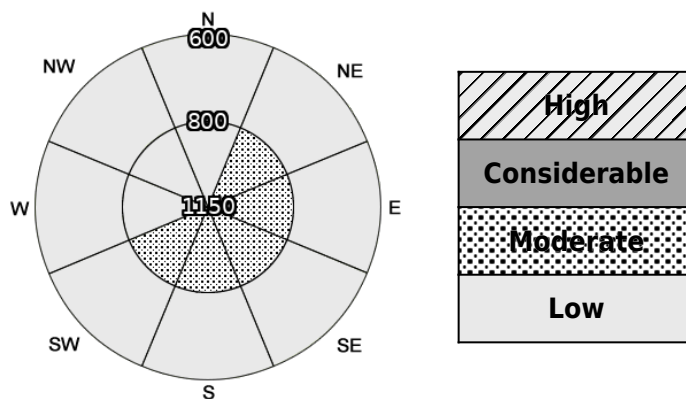
Wet Snow



Cornices

##### Forecast Snow Stability & Avalanche Hazard

A slow but steady thaw will take place. Moderately bonded windslab will be encountered in wind sheltered locations on North-East through South-East to South-West aspects above 800 metres. Most affected areas will include gully tops and around steep corrie rims. Cornices will be at risk of collapse, threatening the slopes beneath. Below this altitude the snow will become generally stable. The avalanche hazard will be Moderate.



##### Forecast Weather Influences

Light precipitation will initially fall as snow this evening, but will turn to rain overnight as the freezing level rises above the summits. Moderate Southerly winds during the day.

##### Comments

Cornice collapse provides high additional load to slopes below. Hard ice beneath the snow on the main Lochnagar path.



#### View the latest avalanche report

Scan the QR code to view the full Avalanche Hazard Report on the SAIS website.