

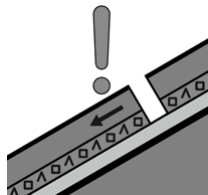
**THE AVALANCHE HAZARD WILL BE CONSIDERABLE**

**Avalanche Hazard Forecast for Sunday 11/01/2015**

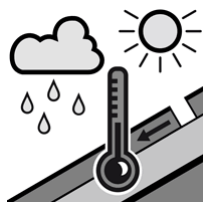
**Avalanche Problems**



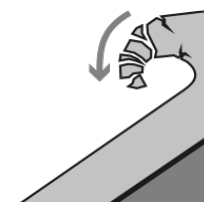
**Wind Slab**



**Persistent Weak Layers**



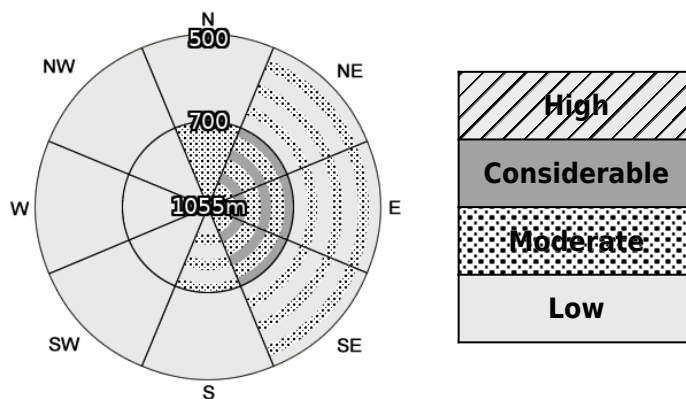
**Wet Snow**



**Cornices**

**Forecast Snow Stability & Avalanche Hazard**

Unstable windslab will continue to build in sheltered locations above 700 metres, predominantly on North-East to South-East aspects with other aspects being affected by cross loading. Avalanches are likely. Newly formed cornices will become unstable and prone to collapse later in the day. West facing aspects and ridges will remain scoured. The avalanche hazard will be Considerable.



**Forecast Weather Influences**

Very strong Westerly, later backing West-South Westerly winds with gusts to 90 mph throughout the forecast period. Snow showers overnight becoming heavier from mid morning and turning to rain at lower levels. Overnight freezing level of 400 metres rising to above the summits by early afternoon.

**Comments**

Continuing strong Westerlies accompanied by snow and yet another rise of the freezing level above the summits.....colder weather returning on Monday. Old snow very firm making crampons essential.



**View the latest avalanche report**

Scan the QR code to view the full Avalanche Hazard Report on the SAIS website.