

THE AVALANCHE HAZARD WILL BE CONSIDERABLE

Avalanche Hazard Forecast for Thursday 29/01/2015

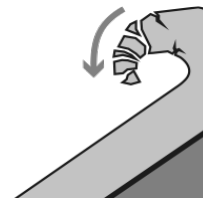
Avalanche Problems



Wind Slab



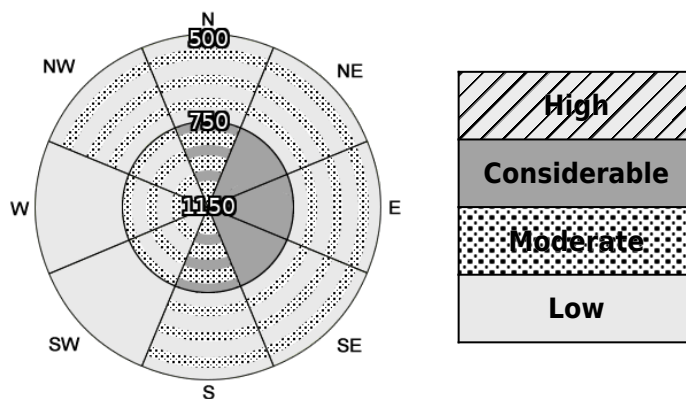
Persistent Weak Layers



Cornices

Forecast Snow Stability & Avalanche Hazard

Fresh poorly bonded windslab will form on North-East to South-East aspects mainly above 750 metres where avalanches are likely, cross loading will also affect North and South aspects with unstable deposits. The avalanche hazard will be Considerable.



Forecast Weather Influences

Winds will be very strong Westerly which will lessen in strength during the day. It will remain very cold with the freezing level at around 200 metres. Precipitation will fall as snow showers to all levels throughout the forecast period.

Comments

Widespread refrozen crust. Turf exposed to 900 metres by previous thaw. Fresh snow contains much graupel. Subsequent windslab likely to bond poorly with lower layers.



View the latest avalanche report

Scan the QR code to view the full Avalanche Hazard Report on the SAIS website.