

## THE AVALANCHE HAZARD WILL BE HIGH

### Avalanche Hazard Forecast for Tuesday 03/03/2015

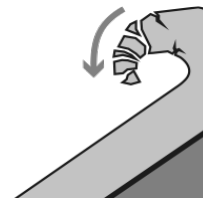
#### Avalanche Problems



Wind Slab



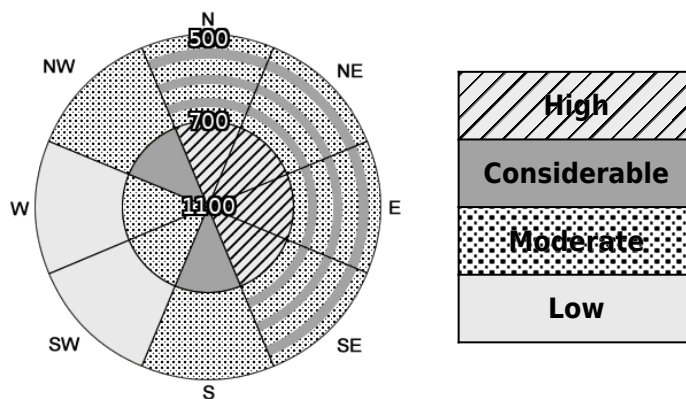
Persistent Weak Layers



Cornices

#### Forecast Snow Stability & Avalanche Hazard

Snow instabilities will persist on sheltered North to South-East aspects above 700m where further accumulations of unstable windslab will continue to develop and here avalanches will occur. Unstable cornices will also build rapidly in these locations. Cross loading will also affect North-West and Southerly aspects of gully side walls and exits. The avalanche hazard will be High



#### Forecast Weather Influences

Staying cold with the freezing level gradually rising to 500m during the morning. Winds will remain strong and Westerly in direction and be accompanied by frequent snow showers. The wind will increase to gale force during the morning and be more South-Westerly in direction with the snow showers becoming heavier.

#### Comments

Very wintry again with heavy drifting above 600m. Progress difficult unless using snowshoes or skis.



#### View the latest avalanche report

Scan the QR code to view the full Avalanche Hazard Report on the SAIS website.