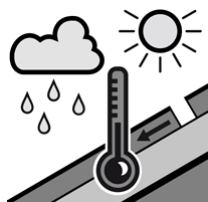


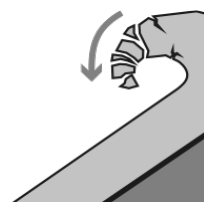
THE AVALANCHE HAZARD WILL BE MODERATE

Avalanche Hazard Forecast for Friday 18/12/2015

Avalanche Problems



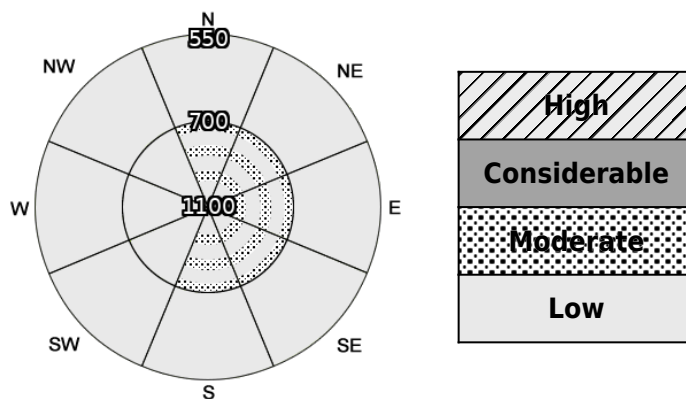
Wet Snow



Cornices

Forecast Snow Stability & Avalanche Hazard

Full depth avalanche potential will persist on selected very steep North to South aspects above 700m. Elsewhere on less steep ground the snowpack will continue to thaw and be generally well stabilised. Remaining cornices will continue to slump. The avalanche hazard will be Moderate



Forecast Weather Influences

Remaining wet and very mild throughout. Winds will be strong South Westerly.

Comments

All burns running full. Evidence of recent rockfall on the Post Face. Snow cover patchy with larger old patches above 800m.



View the latest avalanche report

Scan the QR code to view the full Avalanche Hazard Report on the SAIS website.