

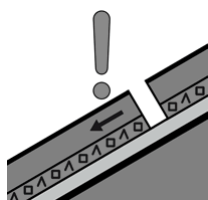
**THE AVALANCHE HAZARD WILL BE CONSIDERABLE**

**Avalanche Hazard Forecast for Monday 29/02/2016**

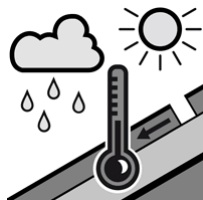
**Avalanche Problems**



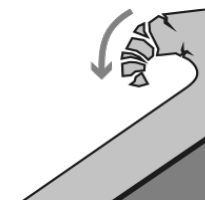
Wind Slab



Persistent Weak Layers



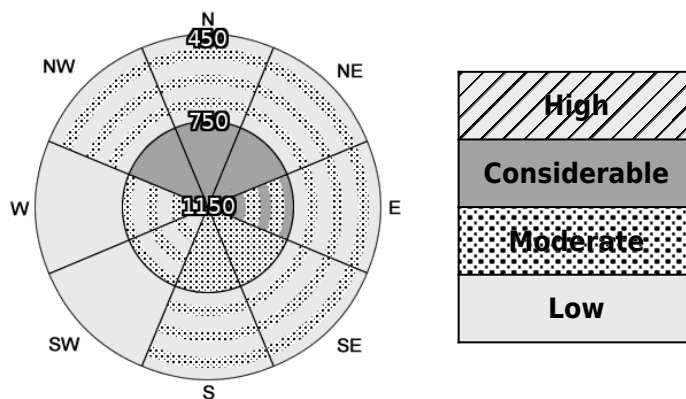
Wet Snow



Cornices

**Forecast Snow Stability & Avalanche Hazard**

New accumulations of weakly bonded windslab will form in sheltered locations. The greatest deposits will be on North-West to North-East aspects above 750 metres with gullies and steep corrie headwalls particularly affected. Instabilities will remain in older deposits on steep East and South-East aspects above 900 metres. The avalanche hazard will be Considerable



**Forecast Weather Influences**

Overnight, it will remain dry and cold with the freezing level at around 500 metres. Early in the morning, light snow showers, these will become more persistent during the day. The winds will become Southerly, strong to gale force over the summits and the freezing level will slowly rise to near summit level by the end of the day.

**Comments**

Tomorrow, as the freezing level rises to near summit level the snowpack at lower elevations will become moist leading to some wet snow instabilities on steeper slopes.



**View the latest avalanche report**

Scan the QR code to view the full Avalanche Hazard Report on the SAIS website.