

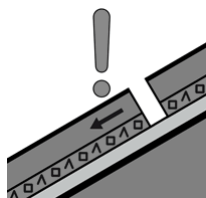
### THE AVALANCHE HAZARD WILL BE MODERATE

#### Avalanche Hazard Forecast for Thursday 04/01/2018

##### Avalanche Problems



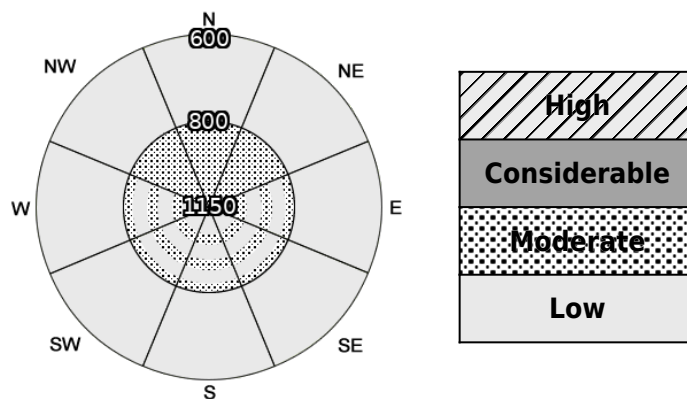
Wind Slab



Persistent Weak Layers

##### Forecast Snow Stability & Avalanche Hazard

Moderately bonded windslab will be present in wind sheltered locations on most aspects above 800 metres with new fresh unstable accumulations expected to develop mainly on South to West aspects. Corrie rims and gully exits will be particularly affected. Elsewhere there is snow cover on most aspects above 600 metres, deeper deposits will be found in any lee location. The avalanche hazard will be Moderate.



##### Forecast Weather Influences

It will be a dry morning with snowfall from around 600 metres in the afternoon. Amounts are expected to be light but there is uncertainty on extent of snow showers. Moderate winds will be Easterly in the morning but veering and strengthening slightly to become North-Easterly by afternoon.

##### Comments

There is some uncertainty on extent of snow showers on Thursday afternoon.



#### View the latest avalanche report

Scan the QR code to view the full Avalanche Hazard Report on the SAIS website.