

THE AVALANCHE HAZARD WILL BE MODERATE

Avalanche Hazard Forecast for Monday 29/01/2018

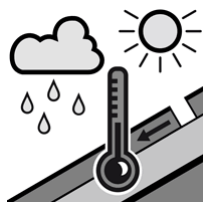
Avalanche Problems



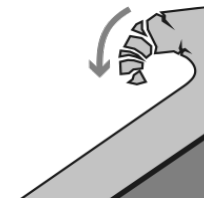
Wind Slab



Persistent Weak Layers



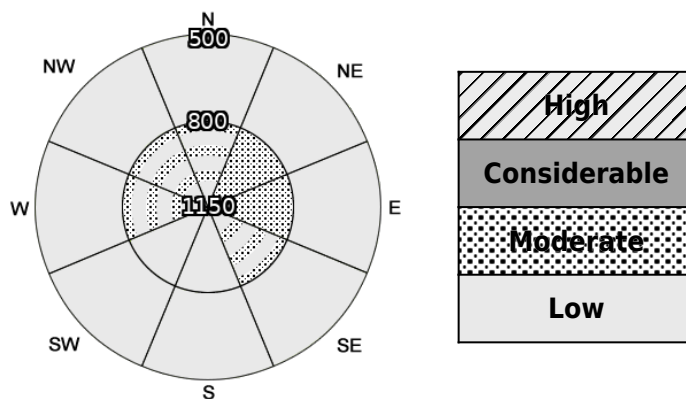
Wet Snow



Cornices

Forecast Snow Stability & Avalanche Hazard

There will be a period of instability overnight as the snowpack becomes saturated. Stability will improve as the freezing level lowers in the morning with the old moist snowpack starting to re-freeze. New accumulations of windslab will form in sheltered locations with the greatest deposits on North-East to South-East aspects mainly above 800 metres these are not expected to be deep or extensive. The avalanche hazard will be Moderate.



Forecast Weather Influences

A few hours of heavy rain to all elevations on Sunday evening, it will also be accompanied by severe gale or storm force South-Westerly winds. Rain clears away overnight followed by colder conditions with wintry showers. A cold and showery North-Westerly airflow will persist through Monday with wet bulb freezing level at around 500 metres, new snow amounts are not expected to be significant. Gale force West winds easing through the day.

Comments

Wintry showers continuing on Monday night WBFL rising from 500 metres to 1000 metres. On Tuesday, the showers will merge into a longer spells of rain or summit snow with WBFL rising to 1200 metres.



View the latest avalanche report

Scan the QR code to view the full Avalanche Hazard Report on the SAIS website.