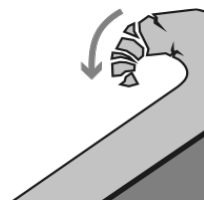


**THE AVALANCHE HAZARD WILL BE LOW**

**Avalanche Hazard Forecast for Wednesday 21/02/2018**

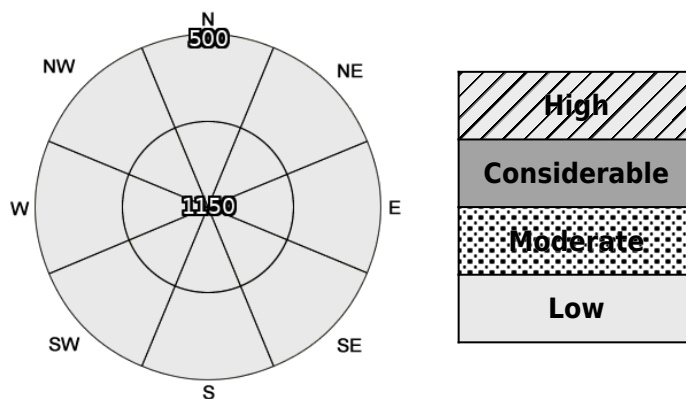
**Avalanche Problems**



Cornices

**Forecast Snow Stability & Avalanche Hazard**

The snowpack will be firm above 800 metres, particularly in shady Northerly aspects. However, it may well soften on Southerly aspects where it is exposed to any strong sunshine. Below 800 metres the snowpack will continue to gently thaw and consolidate. Stability will generally be good. However, some unstable sections of slumping cornices will remain. The avalanche hazard will be Low.



**Forecast Weather Influences**

Another fine day is expected. Winds will be light and it will be dry with sunny periods. The freezing level will be around 800 metres.

**Comments**

A period of generally settled weather expected in Glen Coe over the next few days.



**View the latest avalanche report**

Scan the QR code to view the full Avalanche Hazard Report on the SAIS website.