

THE AVALANCHE HAZARD WILL BE MODERATE

Avalanche Hazard Forecast for Tuesday 04/01/2022

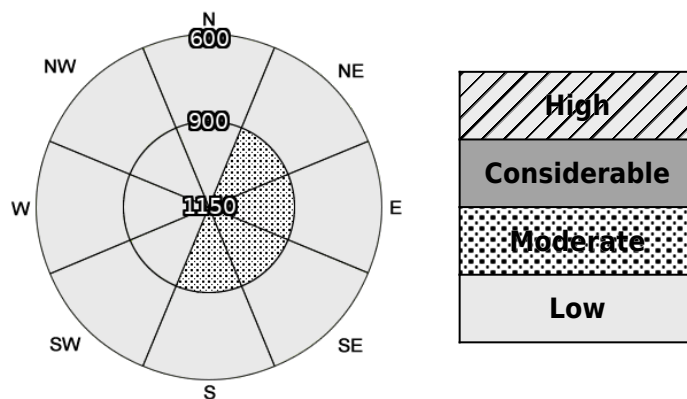
Avalanche Problems



Wind Slab

Forecast Snow Stability & Avalanche Hazard

New snowfall with drifting will continue development of unstable windslab mainly on North-East through South-East to Southerly aspects above 900 metres. Sheltered terrain such as gully tops and scarp slopes will be most affected. Elsewhere, isolated drifts will build but general snow cover will be thin or scoured where exposed to the strong winds. The avalanche hazard will be Moderate.



Forecast Weather Influences

Remaining cold with light snow showers at all levels. Winds strengthening from the North-West, becoming severe gale force by the end of the afternoon.

Comments

A return to very cold and wintry conditions on the hills.



View the latest avalanche report

Scan the QR code to view the full Avalanche Hazard Report on the SAIS website.